

# University of Nebraska - Lincoln Nebraska Innovation Campus

Central Renewable Energy System (CRES) Customer  
Installation and Operational Guidelines

Version 2.0

## Table of Contents

1	Introduction .....	2
2		

## Introduction

This document details the necessary components required for customer connections to the Campus Renewable Energy System (CRES) at the Innovation Campus (IC). In addition, the responsibility for the installation and operation of all components are discussed.

## 2 CRES Service Installation Guidelines

A complete CRES customer installation consists of the following components (refer to Detail 7" in the Appendix):

- Connections to CRES supply and return mains.
- Exterior underground building supply and return piping.
- One or more plate and frame heat exchangers.
-





The CRES Customer Services Agreement contract includes an economic incentive for high delta as averaged over a monthly billing period as well as a penalty for low delta. The following schedule defines these incentives and penalties. See the CRES Customer Services Agreement for more details. eS

, 5ppendi\$

1etail 7umber	2itle
71	CRES uilding Service Meter < iring /etail
72	CRES uilding Service Energy Metering Ca4inet /etail
7"	CRES uilding Service ! iping Sc%ematic
7(	CRES uilding Service ! ipe 0renc% /etail

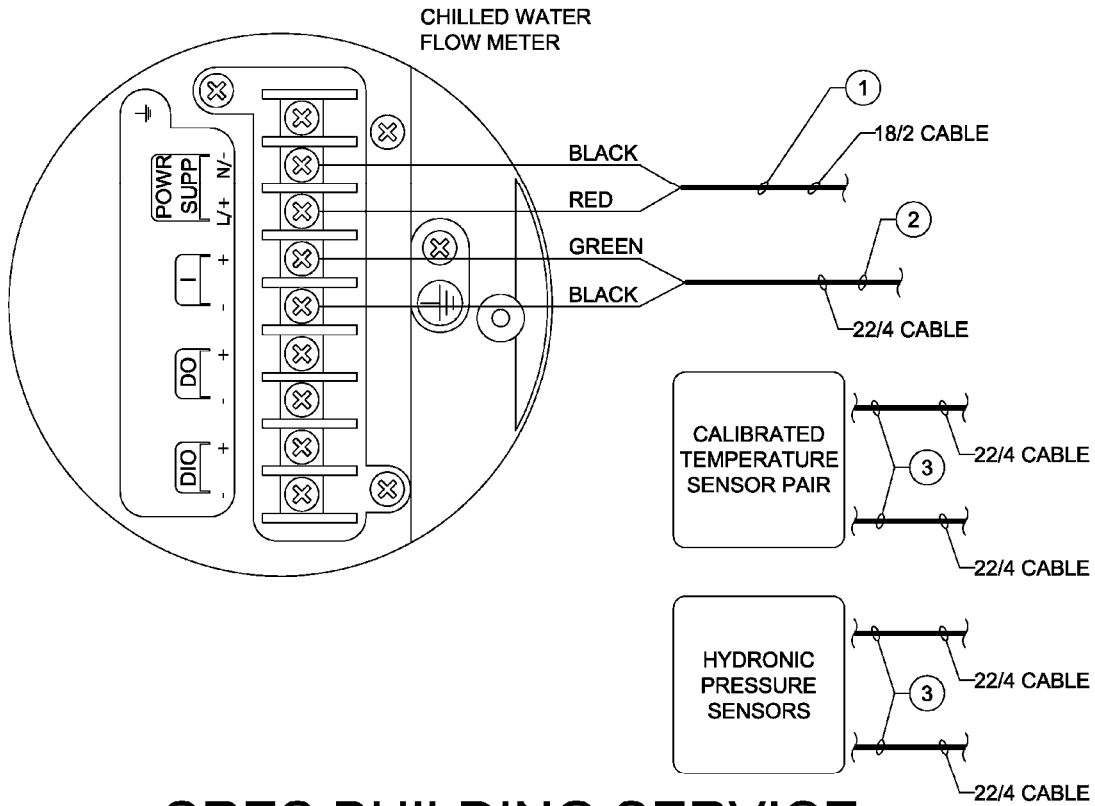
**GENERAL NOTES**

1. ALL CABLE RUNS BACK TO METERING CABINET WIRE GUTTER SHALL HAVE TEN (10) FT EXTRA LENGTH IN GUTTER FOR FINAL TERMINATIONS.

**# KEY NOTES**

1. PROVIDE CONDUIT AND CABLING FROM METER BACK TO METERING CONTROL CABINET WIRE GUTTER. CABLE SHALL BE: 18 AWG / 2 CONDUCTOR COLEMAN CABLE

3. PROVIDE CONDUIT AND CABLING FROM SENSORS BACK TO METERING CONTROL CABINET WIRE GUTTER. CABLE SHALL BE: 22 AWG / 4 CONDUCTOR COLEMAN CABLE 72304. SEE METERING CABINET DETAIL.

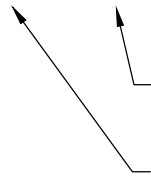
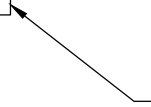


**CRES BUILDING SERVICE  
FLOW METER WIRING DETAIL**

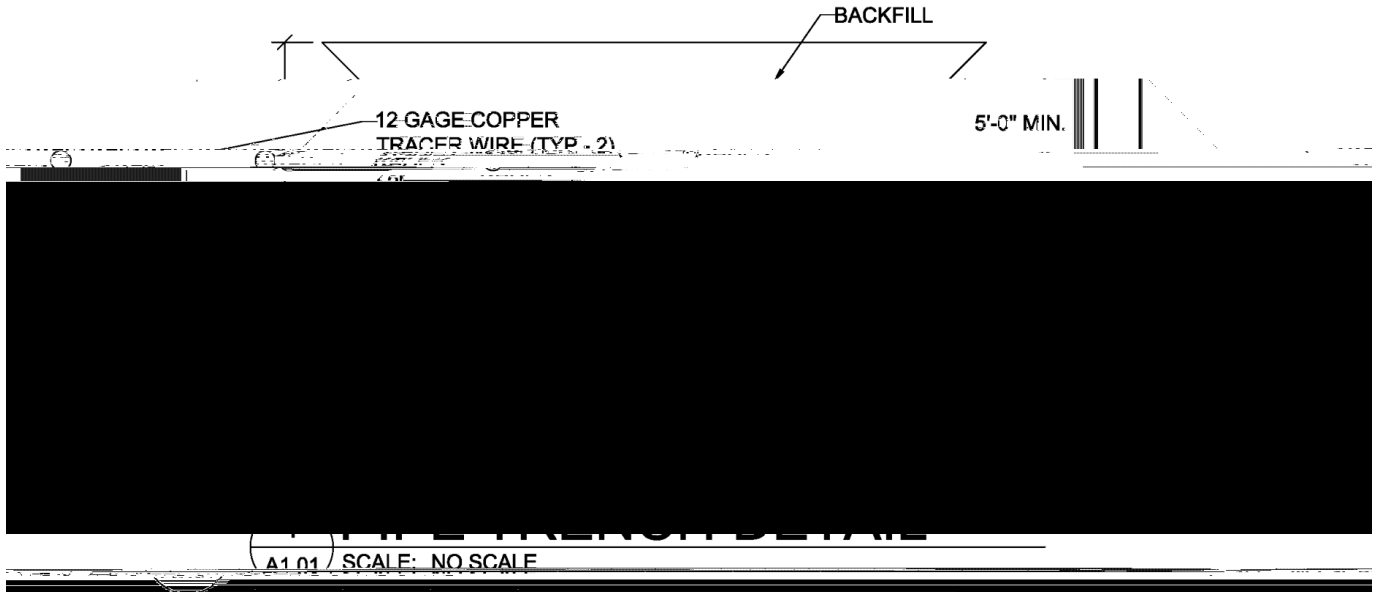
1  
A1.01 SCALE: NO SCALE

Detail Title: <b>CRES Building Meter Wiring Detail</b>	Detail No.: 01	Facilities Planning & Construction Standard Detail	<b>UNIVERSITY OF Nebraska Lincoln</b>
Scale: N.T.S.	Date: NOVEMBER 2013		









Detail Title:	Detail No.:	04	UNIVERSITY OF <b>North</b>
CRES Building Service	Facilities Planning & Construction		
Date:	NOVEMBER 2003		